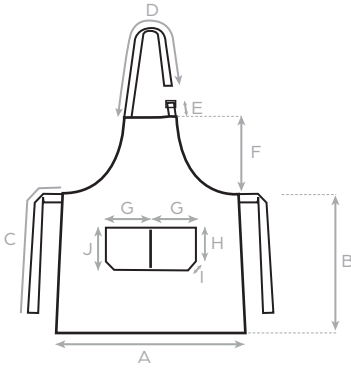


Size specs.



B2B Apron with pockets B2B-APRN	ONE SIZE
A WIDTH	760
B LENGHT	600
C CORD WAIST	1000
D NECK HOLDER	700
E BUCKLE FABRIC	70
F BREAST HEIGHT	300
G POCKET WIDTH	175
H POCKET LENGTH	150
I POCKET CORNER	50
J POCKET TOTAL LENGTH	200
	MM